

# LAMB COMPONENTS

## CARBON BRAKE ROTOR & PAD SPECIFICATIONS

### FRONT 10.0" CARBON ROTOR & PADS (1620 & 1608 CALIPER)

**1300B ROTOR:**

NEW - .450"

MINIMUM - .350"

**732 INNER PAD:**

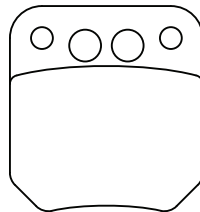
NEW - .650"

MINIMUM - .525"

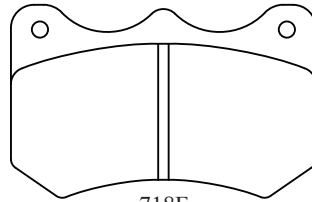
**733 OUTER PAD:**

NEW - .425"

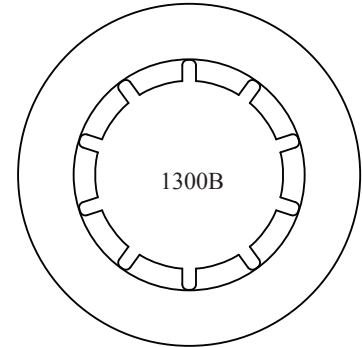
MINIMUM - .300"



732 (inner)  
733 (outer)



718F



1300B

**718F PAD:**

NEW - .388"

MINIMUM - .225"

### REAR 11.5" CARBON ROTOR & PADS (1602 CALIPER)

**1301B & 1302 ROTOR:**

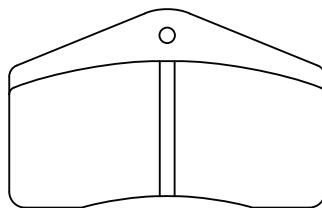
NEW - .450"

MINIMUM - .350"

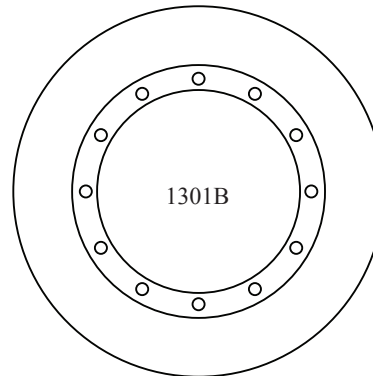
**718B PAD:**

NEW - .500"

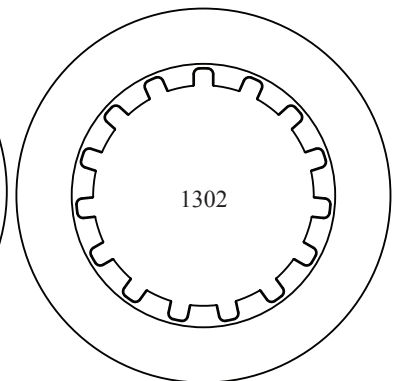
MINIMUM - .350"



718B



1301B



1302

### FRONT & REAR 11" CARBON ROTORS & PADS (1608 CALIPER)

**1301B-1 & 1302-1 ROTOR:**

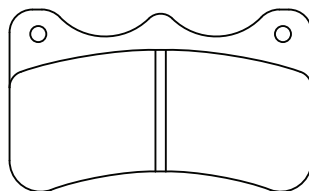
NEW - .450"

MINIMUM - .350"

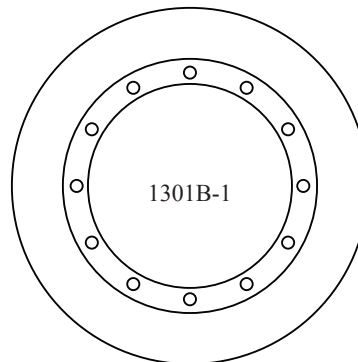
**718A PAD:**

NEW - .388"

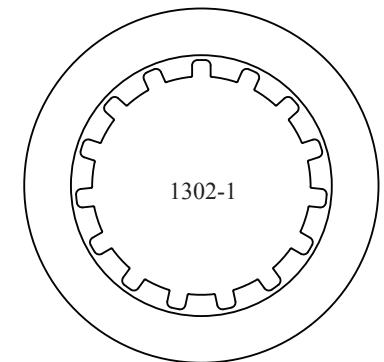
MINIMUM - .225"



718A



1301B-1



1302-1

- Front & rear rotors should be resurfaced at mid life (.410" approx. thickness). This will give better performance and extend the useful life.
- We surface the rotor at no charge if you are purchasing replacement pads.
- The front 1620 caliper only requires new inner pads. We will make new outer pads from your worn out inner pads.
- Do not attempt to surface yourself, as it requires special fixturing and tooling.