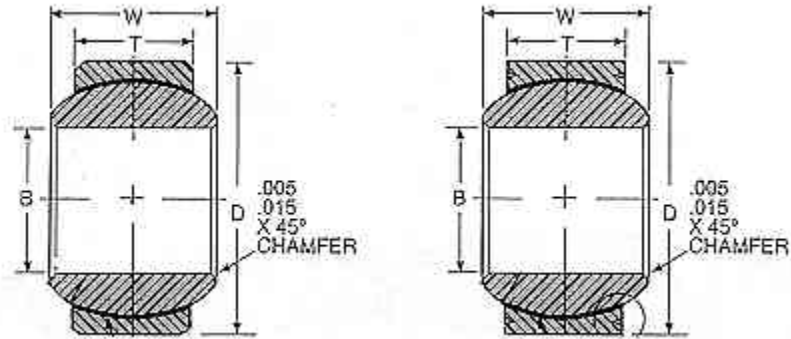


Teflon Lined, Wide, 440 Ball, 410 Race



Part Number Plain	Part Number Grooved	Bore (B)	(D)	(W)	(T)	(M) deg.	Ultimate Static Radial Load (lbs)	Ultimate Static Axial Load (lbs)	Weight (lbs)
ABWT3	ABWT3V	.1900	.6250	.437	.327	15	6120	2655	.031
ABWT4	ABWT4V	.2500	.6250	.437	.327	15	10,060	2655	.031
ABWT5	ABWT5V	.3125	.6875	.437	.317	14	14,100	2460	.035
ABWT6	ABWT6V	.3750	.8125	.500	.406	8	20,550	3945	.060
ABWT7	ABWT7V	.4375	.9375	.562	.442	10	31,050	5475	.080
ABWT8	ABWT8V	.5000	1.0000	.625	.505	9	41,250	7455	.100
ABWT9	ABWT9V	.5625	1.1250	.687	.536	10	51,600	8055	.135
ABWT10	ABWT10V	.6250	1.1875	.750	.567	12	58,500	9195	.160
ABWT12	ABWT12V	.7500	1.3750	.875	.630	13	78,450	11,595	.240
ABWT14	ABWT14V	.8750	1.6250	.875	.755	6	100,950	16,200	.350
ABWT16	ABWT16V	1.0000	2.1250	1.375	1.005	12	189,800	28,950	.970