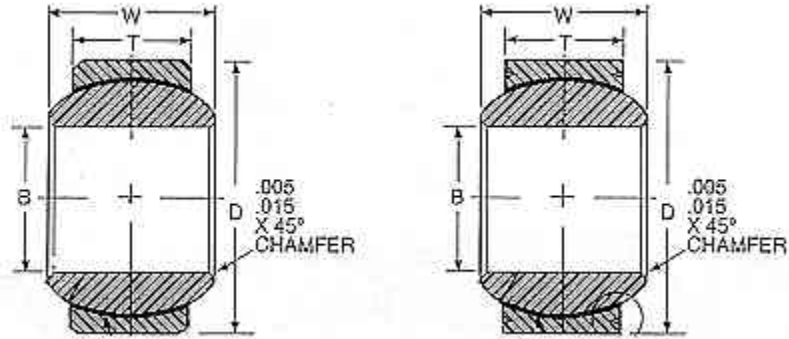


ABT Spherical Bearings - Aircraft

Teflon Lined, Narrow, 440 Ball, 410 Race



Part Number Plain	Part Number Grooved	Bore (B)	(D)	(W)	(T)	(M) deg.	Ultimate Static Radial Load (lbs)	Ultimate Static Axial Load (lbs)	Weight (lbs)
ABT3	ABT3V	.1900	.5625	.281	.218	10	5962	225	.020
ABT4	ABT4V	.2500	.6562	.343	.250	10	9060	645	.020
ABT5	ABT5V	.3125	.7500	.375	.281	10	13,125	1050	.030
ABT6	ABT6V	.3750	.8125	.406	.312	9	15,810	1650	.040
ABT7	ABT7V	.4375	.9062	.437	.343	8	19,800	2100	.050
ABT8	ABT8V	.5000	1.0000	.500	.390	8	26,850	3150	.070
ABT9	ABT9V	.5625	1.0937	.562	.437	8	34,800	5520	.090
ABT10	ABT10V	.6250	1.1875	.625	.500	8	45,750	7080	.120
ABT12	ABT12V	.7500	1.4375	.750	.593	8	69,600	10,125	.210
ABT14	ABT14V	.8750	1.5625	.875	.703	8	93,300	14,025	.270
ABT16	ABT16V	1.0000	1.7500	1.000	.797	9	120,300	18,240	.390